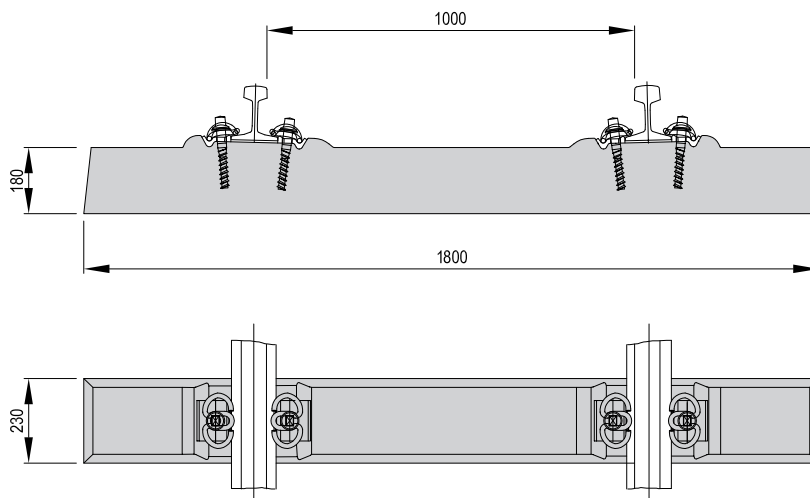


Prestressed Concrete Sleeper B 70 W - 2,4 with Grooved Rail for Rail fastening W



All dimensions in mm

Field of application:	Urban Transit
Permissible wheel set load:	According to structural analysis
Rail inclination:	1:40 / 1:∞
Track gauge:	1000 mm
Rail fastening system:	W 14
Rail:	60 Ri 1, RiPh37A rail foot width 180 mm 49 E 1, 54 E 3 rail foot width 125 mm
Weight:	With rail fastening system, approx. 146 kg
Can also be delivered with sleeper pads to lower the stress on the ballast. Sleeper pads provide vibration protection preserve the ballast under the tracks and lengthen the service life of the track.	
Produced according to DIN EN 13230	