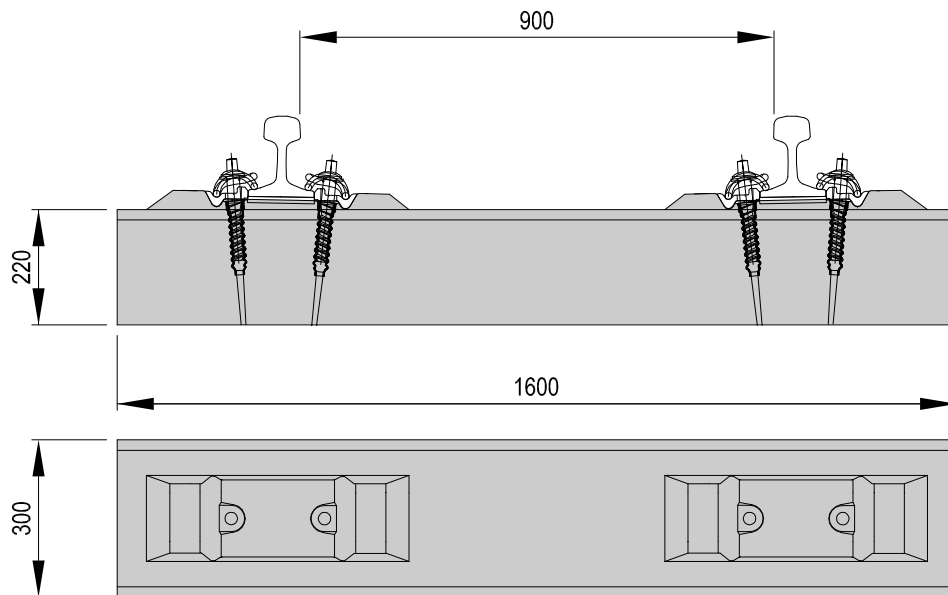


Prestressed Concrete Sleeper or Narrow Gauge SSP 900 for Rail fastening W



All dimensions in mm

Field of application:	Narrow gauge tracks
Permissible wheel set load:	160 kN
Rail inclination:	1:∞ according to customer specification
Track gauge:	900 mm
Rail fastening system:	W 14
Rail:	49 E 1 rail foot width 125 mm or according to customer specification
Weight:	With rail fastening system, approx. 255 kg
Can also be delivered with sleeper pads to lower the stress on the ballast. Sleeper pads provide vibration protection preserve the ballast under the tracks and lengthen the service life of the track.	
Produced according to DIN EN 13230	